

Installation and Wiring

The PRR ROLLER slipping has to be installed only by qualified personnel in compliance with current safety standards.

Power to the machine must be switched off before carrying out cabling.

Connections are to be made in compliance with the wiring scheme of the controlled equipment.

After installation has been completed, the installer should inspect all connections for proper operation.

Avoid prolonged contact with oils and acids when using the equipment, as these may damage the products.

- 1) Using the locknuts (Ref. 27), attach the central pipe (Ref. 12) to a minimum 3 mm thick plate with a central hole of $\varnothing 40,5$ mm. As an alternative the central pipe (Ref. 12) can be attached to a plate with a threaded hole of $\varnothing 40$ mm, 1.5 mm pitch using the locknuts as jam nuts (Ref. 27).
- 2) Rotation is achieved thanks to 1 $\varnothing 10$ mm pivot (Ref. 24) situated on the base (Ref. 10) at a distance of 125 mm from each other. We recommend the coupling to be made with slack to take up any possible runout during rotation. Rotation can also be achieved by attaching the base (Ref. 10) using the pivot (Ref. 24) situated on the plate, thus enabling the central pipe to rotate by (Ref. 12) thanks to a suitable coaxial joint.
- 3) The cables are connected to the brushes through the cable entries M20 (Ref. 26). Please ensure that the wires do not interfere with any moving parts. The cables connected to the rings protrude from the central pipe by approx 2 m (Ref. 12). Longer cables are available upon request.
- 4) Please check the equipotential of any surfaces not generally recommended \to be used under voltage, and the ground connection using the cables provided.

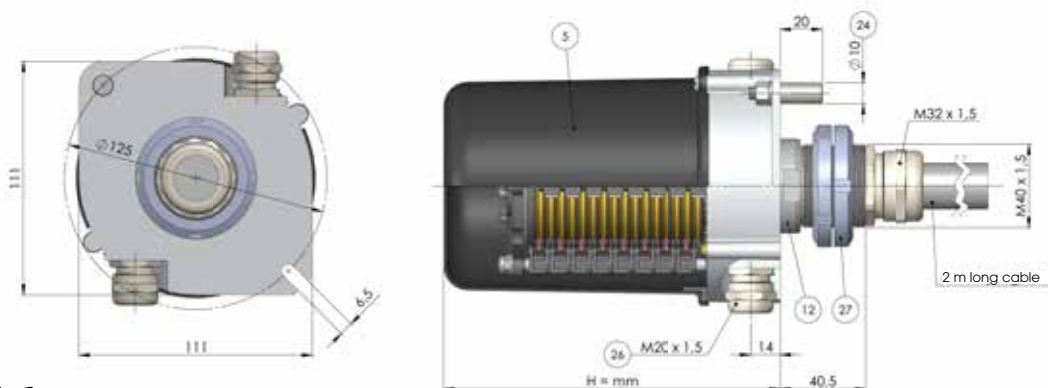
Maintenance

Periodic maintenance is required to ensure that the PRR Roller slipping is kept in perfect working conditions. All maintenance is to be performed by qualified personnel using only original spare parts. The first maintenance must be done within 600 operation hours (100 revs/min) or in any case within 12 months from the installation. Subsequent maintenance should be carried out every 18 months. Any defective or worn parts must be replaced promptly, even out of the maintenance schedule, as they could affect on the safety of the device. In particular:

- 1) Disconnect from power source and wait until the internal parts have cooled down;
- 2) Remove the cover (Ref. 5);
- 3) Check the brushes for wear and tear and that they fit properly to the rings;
- 4) Remove copper-graphite dust with de-humidified compressed air or a clean brush;
- 5) Check cables tightness;
- 6) Check the cover seal conditions;
- 7) Replace the cover (Ref. 5).

Please note that the guarantee does not cover any equipment which parts have been modified or tampered. RAVIOLI declines all responsibility for damage caused by incorrect installation or improper use of the product.

Dimensions



CE