



RA



Pendant Push-button Stations

Pendant Push-button Stations STILO Series

Double-row type PK Single-row type B

Main Features

The STILO range of push-button stations for auxiliary circuits has been designed and produced in compliance with the safety criteria specified in the European Rules Machinery Directive EEC 89/392.

The products are the result of years of experience and are specifically designed for heavy-duty as well as normal requirements.

Types PKE and BEI are most suitable for building cranes while types PKP and BPM are for bridge cranes.

They are available in versions containing from 4 to 14 buttons, size and inside space tested to allow fast cabling, thus reducing time and costs.

Safety functioning

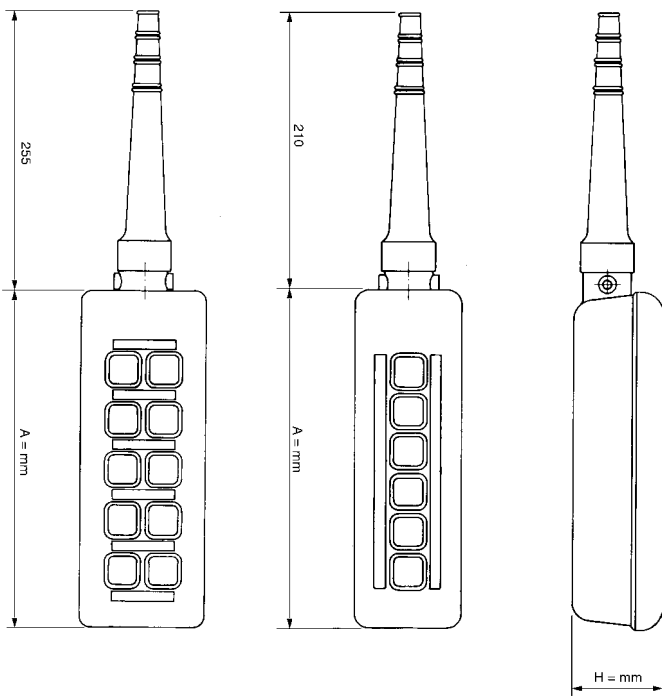
The emergency stop push-button has been produced in compliance with Standard EN 418 and the NC safety contact elements feature guaranteed opening (CEI EN 60947-5-1).

A single internal membrane separates the upper part from the bottom, which contains the electrical contacts, thus protecting from infiltration of water.

All materials used are resistant to atmospheric agents, temperature changes and shocks.

Actuators are marked with international symbols.

Self-cleaning sliding contact elements in silver nickel alloy.



type PK

type B

FURTHER FEATURES

Insulation voltage	660 V~		
Test voltage	2500 V~		
Maximum exercise voltage	400 V~		
Grey - lower casing	RAL 8301		
Yellow - cover casing	RAL 8260		
Operating temperature range	- 25°C + 70°C		
Insulation	EN 60497 - 5 - 1		
Protection degree	IP 65 (EN 60529)		
In compliance with rules	EN 60947 - 1	EN 60947 - 5 - 1	EN 60529
	EN 60204 - 1	EN 60439 - 1	EN 418
Double insulation protection against contact voltages	EN 60439 - 1		

	PKE - PKP						BEI - BPM							
	4	6	8	10	12	14	5	6	7	8	9	10	11	12
A	165	210	255	300	345	390	315	315	315	400	400	485	485	485
H	75						81							

MK Push-button Element

Main Features

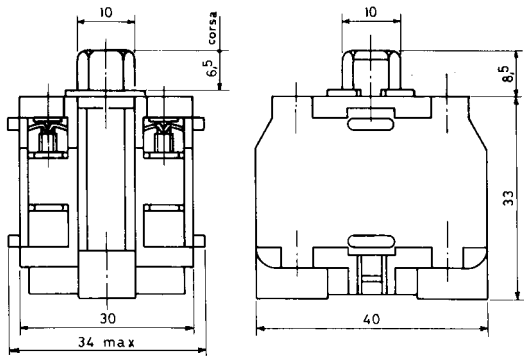
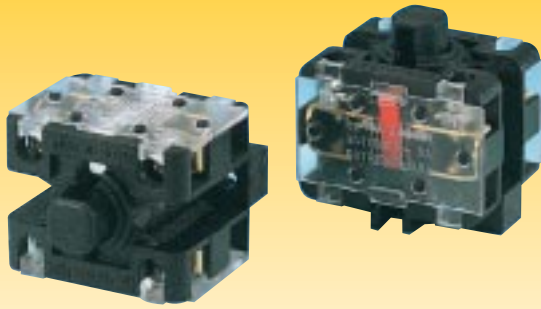
The MK push button elements are inside parts of the PK and B pendant stations.

Casing is in self-extinguishing nylon glass.

Double breaking and self-cleaning sliding contact elements are in silver nickel alloy.

Screws and springs in inox steel.

MK elements are supplied as push button station spare parts.



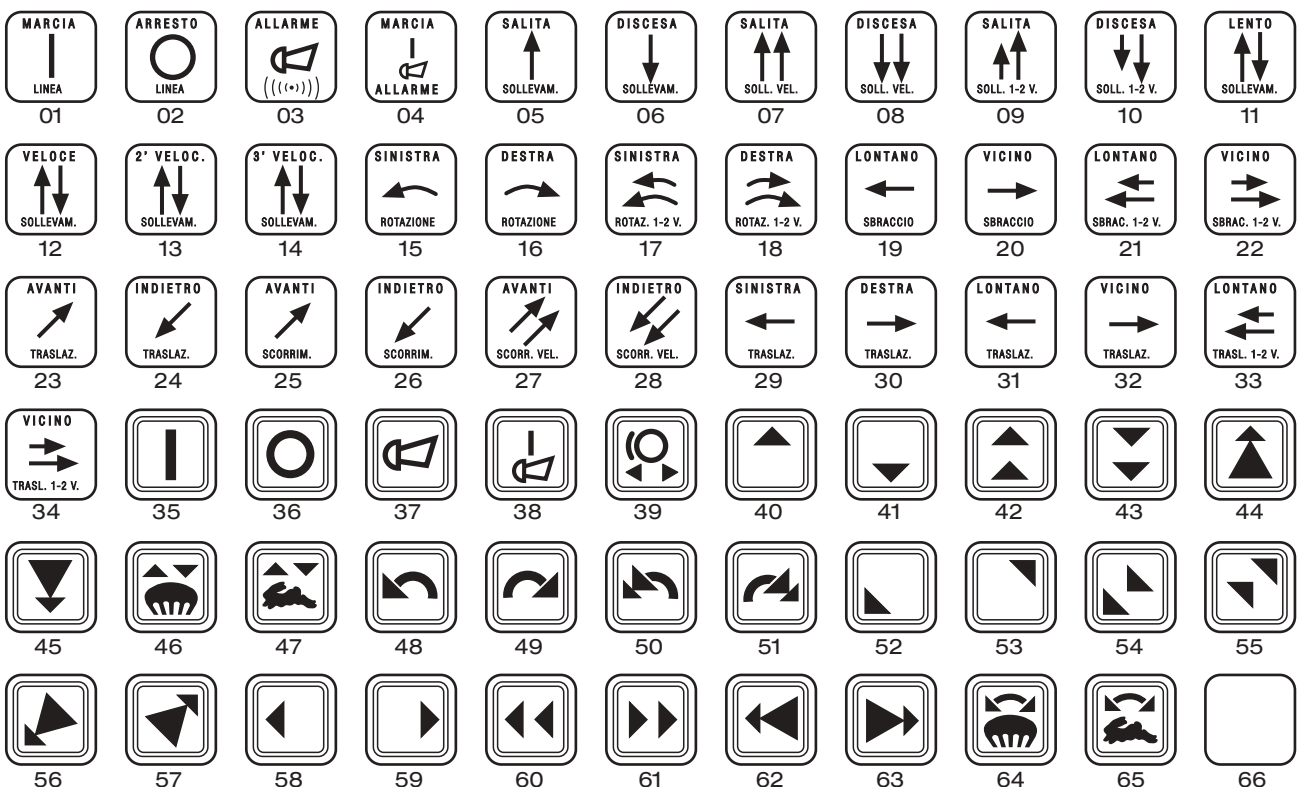
FURTHER FEATURES

Insulation voltage	$U_i = 660 \text{ V} \sim$	EN 60947 - 5 - 1
Nominal thermal current	$I_{th} = 10 \text{ A}$	EN 60947 - 5 - 1
Mechanical life	3x10 ⁶ operations	
In compliance with rules:	EN 60947 - 5 - 1	
Maximum connectable section	2x1,5 mm ² or 1x2,5 mm ²	
Clamps	secured clamping screws	
Use limits:	AC 15	V_e (V) 24 48 120 240 380
		I_e (A) 10 10 6 3 1,9
	DC 13	V_e (V) 24 48 125 250
		I_e (A) 5 5 2,2 1,1

TYPES AND CODES

1 NC	1 NO	2 NC SIMULT.	2 NO SIMULT.	1 NO+1 NC	2 NO STEPS
<i>D MK 01</i>	<i>D MK 10</i>	<i>D MK 02</i>	<i>D MK 20 CC</i>	<i>D MK 11</i>	<i>D MK 20 PR</i>

Symbols and readings relating to standard actuators



Types and Codes

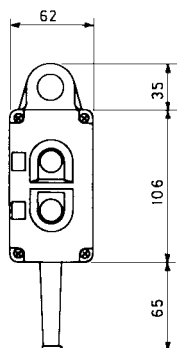
The single- and double-row push-button stations for building cranes, series BEI and PKE, and for bridge cranes, series BPM and PKP can be ordered using the following codes:

Type	N. Actuators	C O D E	Type	C O D E
PKE	4	D PKE 4	PKP	D PKP 4
	6	D PKE 6		D PKP 6
	8	D PKE 8		D PKP 8
	10	D PKE 10		D PKP 10
	12	D PKE 12		D PKP 12
	14	D PKE 14		D PKP 14

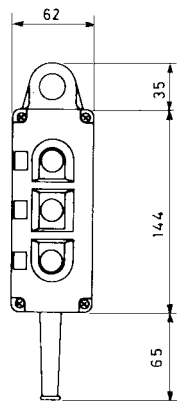
Type	N. Actuators	C O D E	Type	C O D E
BEI	5	D BEI 5	BPM	D BPM 5
	6	D BEI 6		D BPM 6
	7	D BEI 7		D BPM 7
	8	D BEI 8		D BPM 8
	9	D BEI 9		D BPM 9
	10	D BEI 10		D BPM 10
	11	D BEI 11		D BPM 11
	12	D BEI 12		D BPM 12

ACCESSORIES AND SPARE PARTS

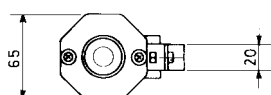
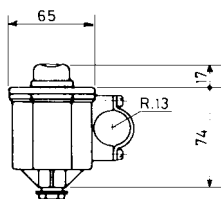
	C O D E
Pilot light	D PKLAM
Arrow switch	D PKSELR
Key switch	D PKSELCH
Emergency stop push-button	D PKFUN
Standard actuators for PK and B	D PKBOT
Closing component for PK and B	D PKELCH
Mechanical interlock	D PKBLMEC
Special rating labels	D PKTARG



BT 2



BT 3



Single-row pendant Push-button Stations for auxiliary circuits type BT

Main Features

These push-button stations are suitable for controlling the auxiliary circuits of hoists, elevators, platforms and special machinery.

	Standard performances	Contacts	C O D E S
BT 2	0 I	1 NC 1 NA	D BT 2 A
BT 2	↑ ↓	1 NA 1 NA	D BT 2 B
BT 3	↑ 0 ↓	1 NA 1 NC 1 NA	D BT 3 B

1NO+1NC contacts on request

Push-button Control for Sand Scraper Machines

Main Features

This push-button control is suitable for application to max. 27 mm. diameter pipes.

It is supplied with 3/8" cable clamp.

Degree of protection: IP 65 (EN 60529).

	C O D E
1NO standard contact	D PUL PR

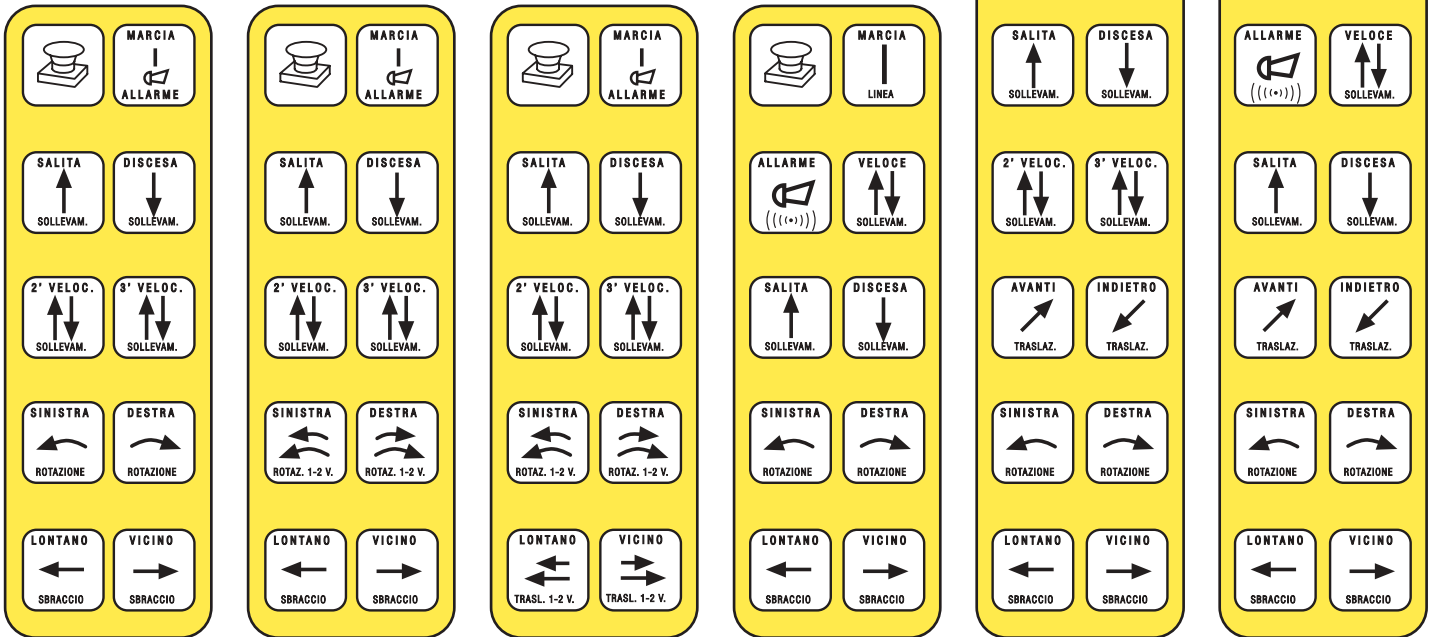
Standard Types

Shown here are our standard performance products, on stock, designed to control the best-known cranes in the world.

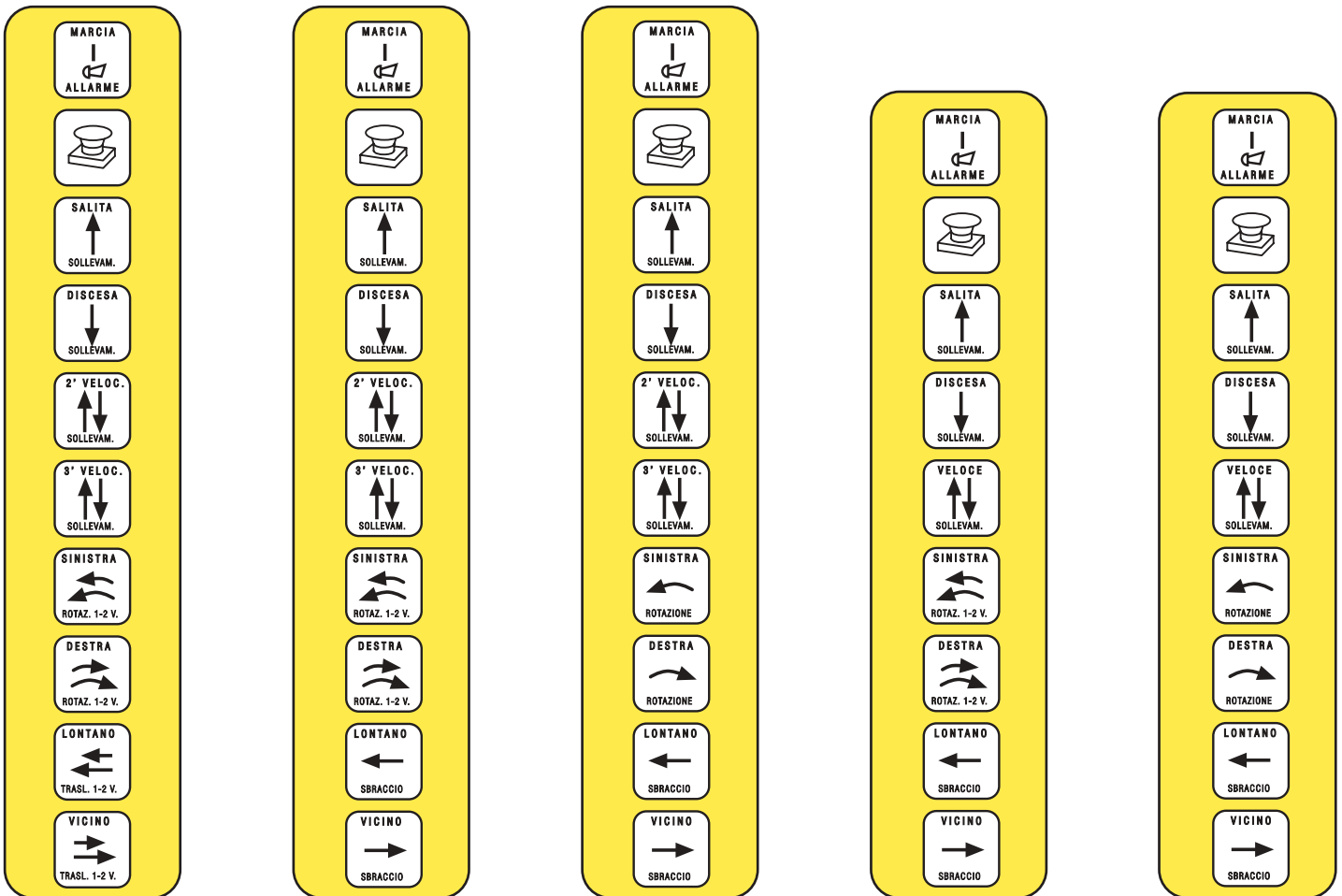
These products are also available with international symbols only.

Given their versatile composition, personalised performance products are available on request.

Key: S = lifting R = rotation C = trolley T = travelling

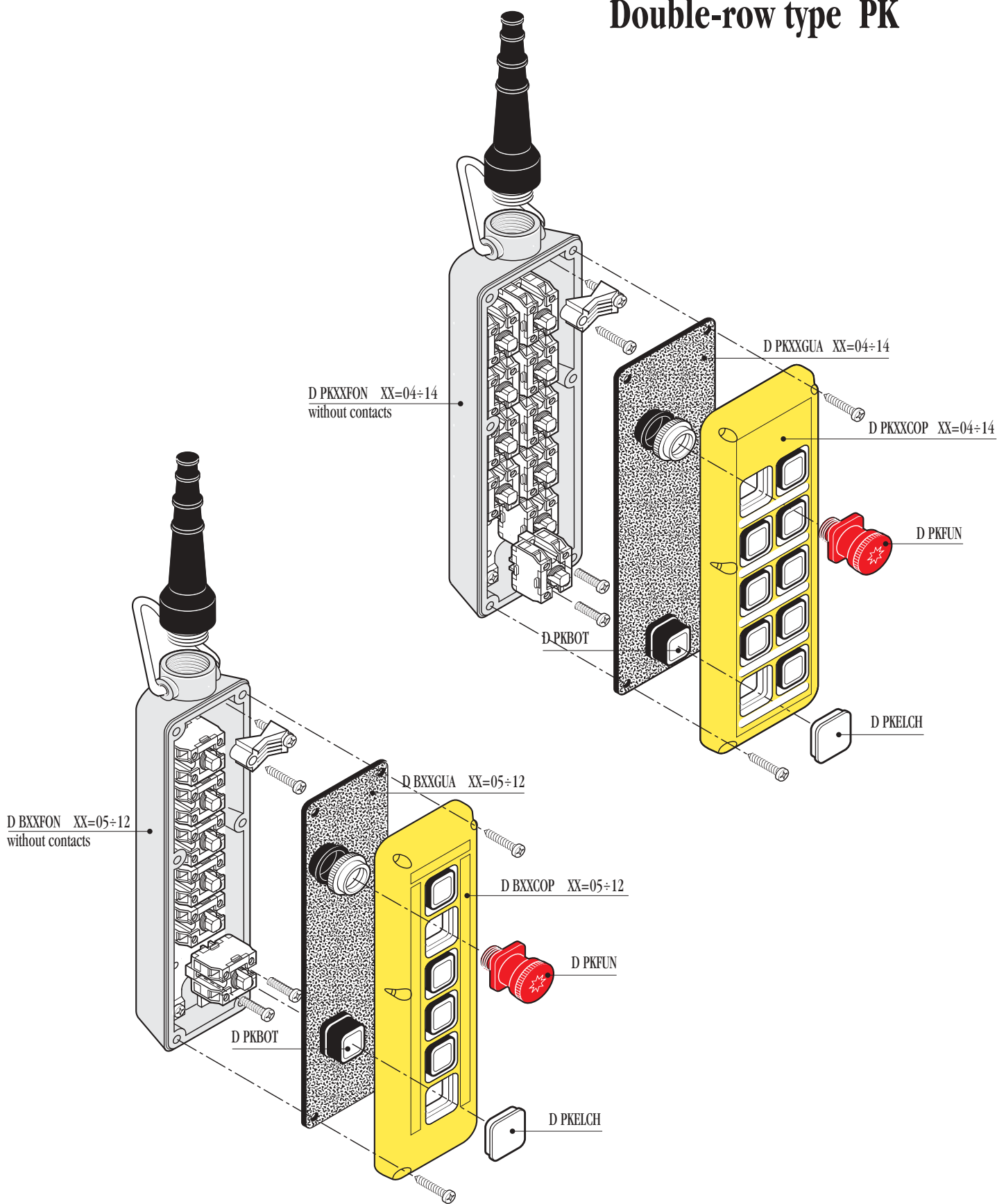


COD.	D PKE 10 M 70	D PKE 10 M 71	D PKE 10 M 72	D PKE 10 M 73	D PKE 12 M 74	D PKE 12 M 75
Movements	3S 1R 1C	3S 2R 1C	3S 2R 2C	2S 1R 1C	3S 1R 1C 1T	2S 1R 1C 1T



COD.	D BEI 10 M 64	D BEI 10 M 63	D BEI 10 M 62	D BEI 9 M 61	D BEI 9 M 60
Movements	3S 2R 2C	3S 2R 1C	3S 1R 1C	2S 2R 1C	2S 1R 1C

Double-row type PK



Single-row type B

RAVIOLI Spa
Via Passo Pordoi, 4 • I - 20139 Milano
Tel. +39 02536301 (ric.aut.) • fax +39 02536305
E-mail: raviolispa@tin.it

