

Installation and Wiring

The PME Evolution slipring has to be installed only by qualified personnel in compliance with current safety standards. Power to the machine must be turned off before carrying out wiring. Connections are to be made in compliance with the wiring scheme of the controlled equipment. After installation has been completed, the installer is required to check that all commands are working properly. Avoid prolonged contact with oils and acids when using the equipment, as these may damage the products.

- 1) The base plate (ref. 1) is made by using fork fastons with interaxis 260 mm. and screws M10. Two holes of $\varnothing 9$ mm., 13 mm. deep on the flange (Ref. 7) are used for the rings. We recommend the coupling to be made with slack to take up any possible runout during rotation. Axial stress must be avoided for good functioning.
- 2) The cables are connected through lateral pipe unions (Ref. 2). The torque for brushes terminals is 0,8 Nm for the versions 20 A and 50 A, and 2 Nm for the version 100 A. During the tightening of the cables to the brushes, brush holders must be locked. Please ensure that the wires do not interfere with any moving part. The rings are cabled with a 2 m long cable from the main plate (Ref. 1). Longer cables are available upon request.
- 3) Please check the equipotential of any surface not generally recommended to be used under tension, and the ground connection using the cables provided.

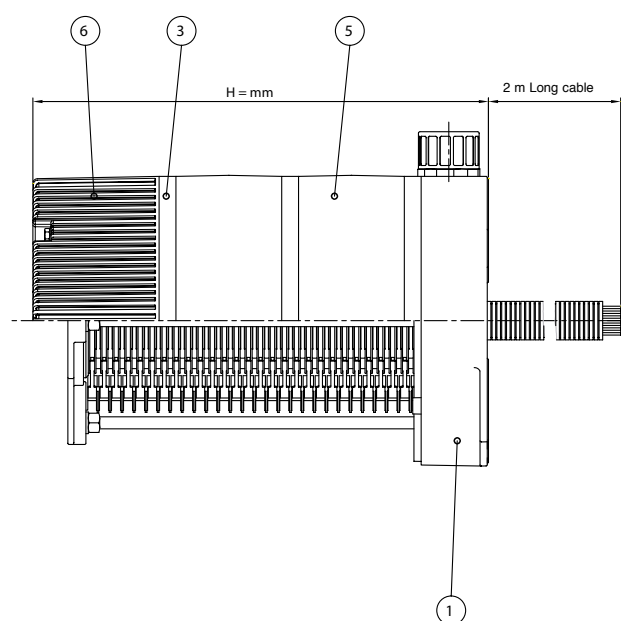
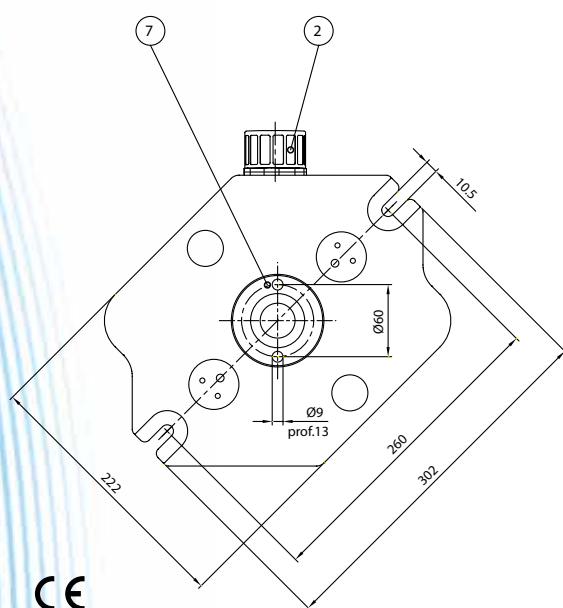
Maintenance

A programme of periodical maintenance is required to be carried out to ensure that the PMP Evolution slipring is kept in perfect working order. All maintenance is to be effected by qualified personnel using only original spare parts. Any defective or altered parts must be replaced promptly, even outside the maintenance schedule, as they could impact on the safety of the device. In particular:

- 1) Disconnect from power source and wait until the internal parts have cooled down.
- 2) Remove the cover (ref. 6), the bands (Ref. 5) and the gaskets (Ref. 3).
- 3) Check the brushes for wear and tear, and check that they adapt properly to the rings.
- 4) Remove copper-graphite dust with de-humidified compressed air or a clean brush.
- 5) Check that the cables tightness is corresponding to the torque which is specified in our installation instructions.
- 6) Check that the cover gaskets is in good condition.
- 7) Replace the cover (ref. 6), the bands (Ref. 5) and the gaskets (Ref. 3).

Please note that the guarantee does not cover any equipment whose parts have been modified and tampered.

Dimensions



CE

RAVIOLI S.p.a. declines any responsibility for damage deriving from incorrect installation or use of the product.