

# SLIPRING

## Type PSG-130 20 - 60 A

# TECHNICAL SHEET 3.5



### MAIN PERFORMANCES

- EXECUTION Without housing. It is necessary that housing has to be realized by end user according to the armonized rules to assure a suitable protection
- POSITIONING Vertical axis
- INSIDE PASSAGE Diameter 47 mm suitable for cables passages, ropes and so on
- CABLE CONNECTIONS Directly on the terminal box for the rings and on the brush holder terminals
- BRUSHES 20 A to 60 A copper graphite. Slideway between rings and brushes secured by a "V" special contact
- EXECUTIONS From 4 to 36 rings 20 A - mixed executions 20/60 A
- ARMONIZED RULES EN 60947-5-1 EN 60529  
EEC 73/23 - EEC 89/336 - CEE 89/392 Directive
- MARKING CE

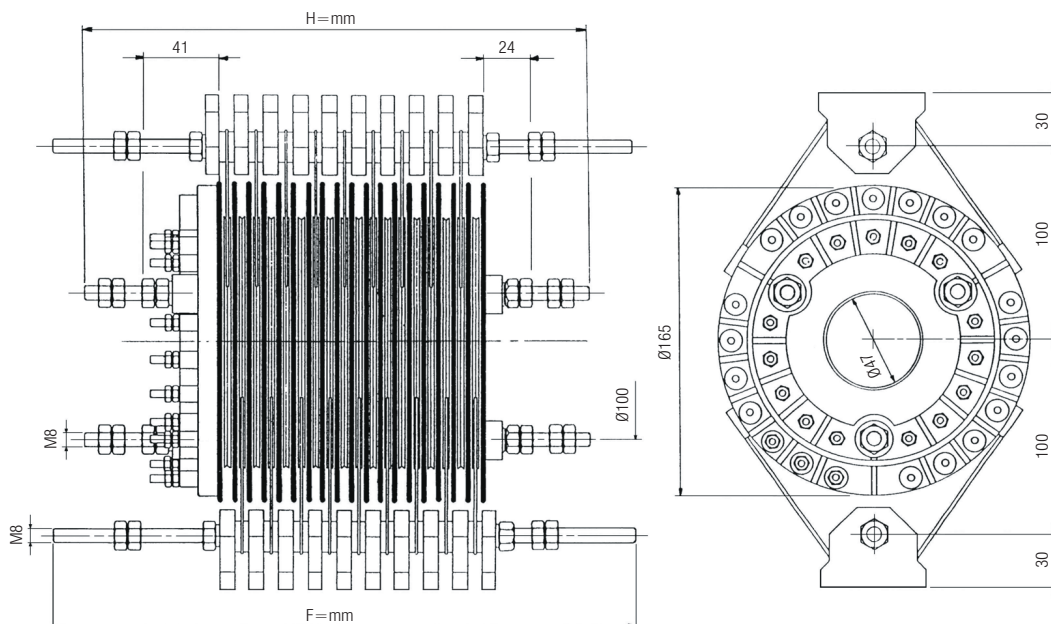
### ELECTRICAL FEATURES

- NOMINAL VOLTAGE 660 V AC - DC
- NOMINAL CURRENT Ith 20 - 60 A
- PROTECTION DEGREE IP 00
- MAX ROTATING SPEED 30 revs/min
- TEST VOLTAGE 2,5 kV
- OPERATING TEMPERATURE -20 °C ÷ +60 °C

### STANDARD TYPES

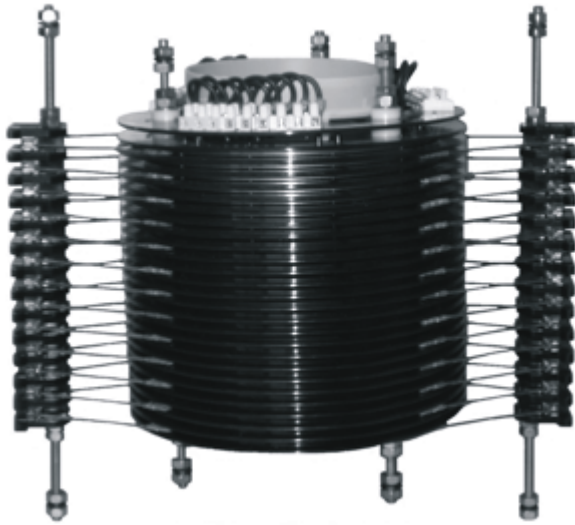
H = mm	F = mm	Single	Mixed		TOT.
		20 A N ° rings	60 A N ° rings	20 A N ° rings	
165	210	6	-	-	-
210	255	12	4	4	8
255	300	18	4	10	14
300	345	24	4	16	20
345	390	30	4	22	26
390	435	36	4	28	32

### DIMENSIONS



# SLIPRING Type PSG-160 20A

# TECHNICAL SHEET 3.5



### MAIN PERFORMANCES

- EXECUTION Without housing. It is necessary that housing has to be realized by end user according to the armonized rules to assure a suitable protection
- POSITIONING Vertical axis
- INSIDE PASSAGE Diameter 96 mm suitable for cables passages, ropes and so on
- CABLE CONNECTIONS Directly on the terminal box for the rings and on the brush holder terminals
- BRUSHES 20 A copper graphite. Slideway between rings and brushes secured by a "V" special contact
- EXECUTIONS From 4 to 36 rings 20 A
- ARMONIZED RULES EN 60947-5-1 EN 60529  
EEC 73/23 - EEC 89/336 - CEE 89/392 Directive
- MARKING CE

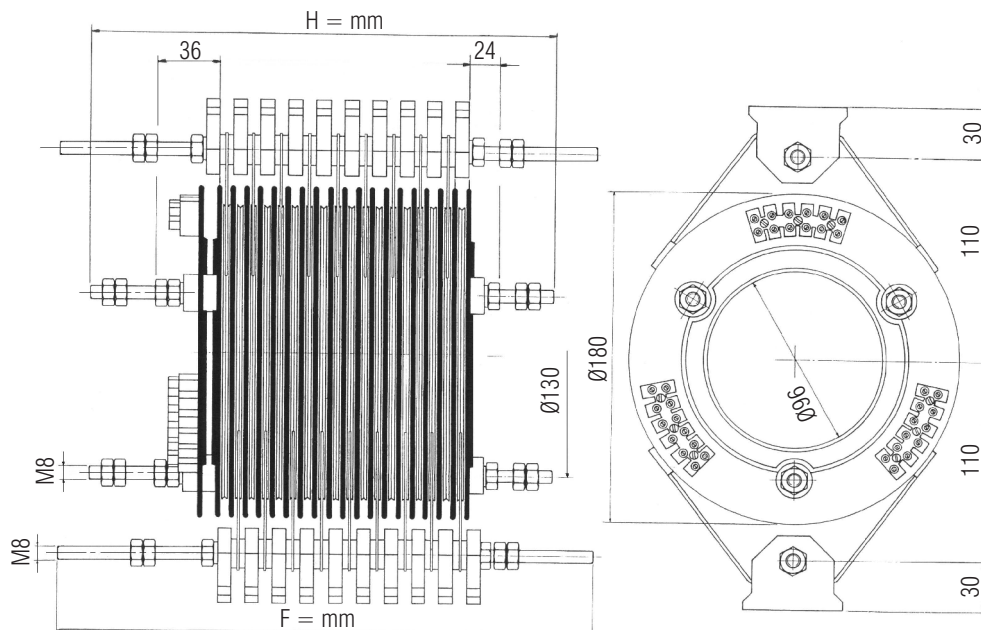
### ELECTRICAL FEATURES

- NOMINAL VOLTAGE 660 V AC - DC
- NOMINAL CURRENT Ith 20 A
- PROTECTION DEGREE IP 00
- MAX ROTATING SPEED 30 revs/min
- TEST VOLTAGE 2,5 kV
- OPERATING TEMPERATURE -20 °C ÷ +60 °C

### STANDARD TYPES

	H = mm	F = mm	Single 20 A N° rings
	165	210	6
	210	255	12
	255	300	18
	300	345	24
	345	390	30
	390	435	36

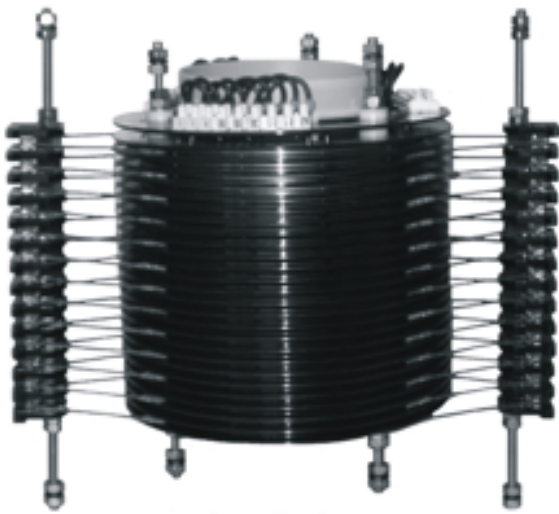
### DIMENSIONS



# SLIPRING

## Type PSG-200 20 - 60 A

# TECHNICAL SHEET 3.5



### MAIN PERFORMANCES

- EXECUTION Without housing. It is necessary that housing has to be realized by end user according to the armonized rules to assure a suitable protection
- POSITIONING Vertical axis
- INSIDE PASSAGE Diameter 135 mm suitable for cables passages, ropes and so on
- CABLE CONNECTIONS Directly on the terminal box for the rings and on the brush holder terminals
- BRUSHES 20 A to 60 A copper graphite. Slideway between rings and brushes secured by a "V" special contact
- EXECUTIONS From 4 to 36 rings 20 A - mixed executions 20/60 A
- ARMONIZED RULES EN 60947-5-1 EN 60529  
EEC 73/23 - EEC 89/336 - CEE 89/392 Directive
- MARKING CE

### ELECTRICAL FEATURES

- NOMINAL VOLTAGE 660 V AC - DC
- NOMINAL CURRENT Ith 20 - 60 A
- PROTECTION DEGREE IP 00
- MAX ROTATING SPEED 30 revs/min
- TEST VOLTAGE 2,5 kV
- OPERATING TEMPERATURE -20 °C ÷ +60 °C

### STANDARD TYPES

H = mm	F = mm	Single	Mixed		TOT.
		20 A N ° rings	60 A N ° rings	20 A N ° rings	
165	210	6	-	-	-
210	255	12	4	4	8
255	300	18	4	10	14
300	345	24	4	16	20
345	390	30	4	22	26
390	435	36	4	28	32

### DIMENSIONS

