

SLIPRINGS

Type PMT

TECHNICAL SHEET 3.10



MAIN PERFORMANCES

HOUSING	In aluminium
POSITIONING	Preferably on vertical axis
CONNECTIONS	Rings and brushes are cabled with 2 m long cables
CABLE ENTRY	Inside the fastener pipe for the rings, and through the PG16 cable entry for the brush holders
BRUSHES	10 A copper graphite brushes
COMPOSITION	From 6 to 30 rings
ARMONIZED RULES	EN 60947-5-1 - EN 60529 EEC 73/23 - EEC 89/336 - EEC 89/392 Directives
MARKING	CE

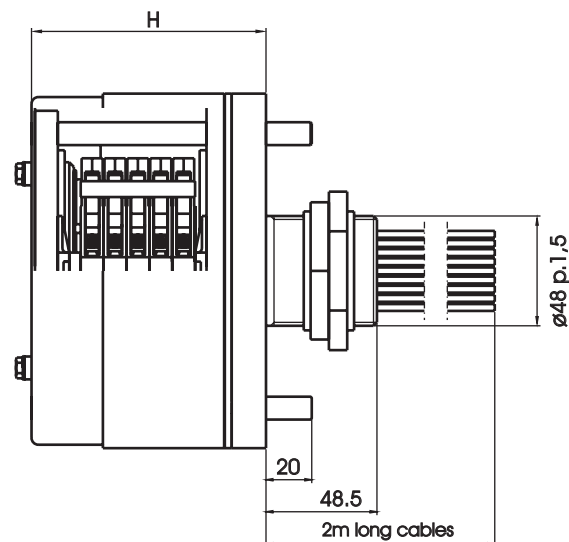
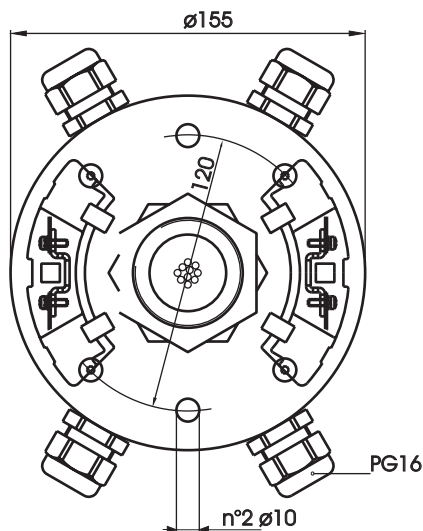
ELECTRICAL FEATURES

NOMINAL VOLTAGE	660 V AC - DC
NOMINAL CURRENT	10 A
PROTECTION DEGREE	IP 55
MAX ROTATING SPEED	30 revs/min
TEST VOLTAGE	2,5 kV
OPERATING TEMPERATURE	-20 °C ÷ +60 °C

STANDARD TYPES

<u>N o. rings</u>	<u>H = mm</u>
6	83
10	103
16	133
20	153
26	183
30	203

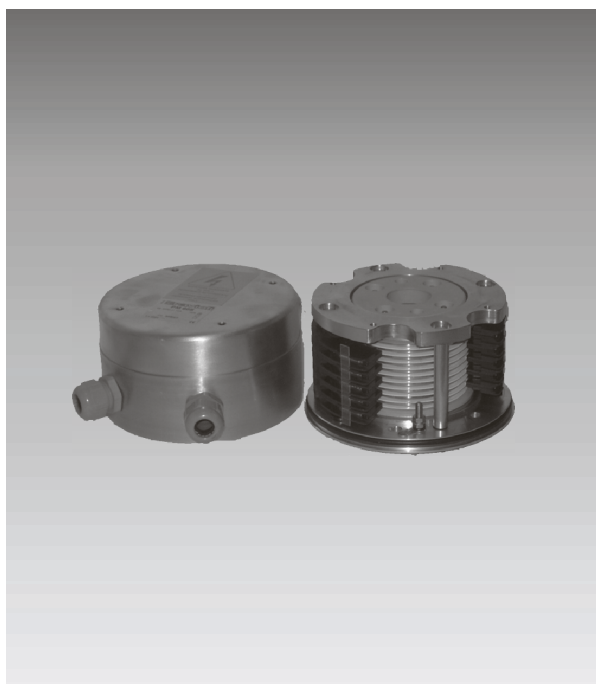
DIMENSIONS



SLIPRINGS

Type PMT

TECHNICAL SHEET 3.10



MAIN PERFORMANCES

HOUSING	In aluminium
POSITIONING	Preferably on vertical axis
CONNECTIONS	Rings and brushes are cabled with 2 m long cables
CABLE ENTRY	Inside the fastener pipe for the rings, and through the PG16 cable entry for the brush holders
BRUSHES	10 A copper graphite brushes
COMPOSITION	From 6 to 30 rings
ARMONIZED RULES	EN 60947-5-1 EN 60529 EEC 73/23 - EEC 89/336 - EEC 89/392 Directives
MARKING	CE

ELECTRICAL FEATURES

NOMINAL VOLTAGE	660 V AC - DC
NOMINAL CURRENT	Ith 10 A
PROTECTION DEGREE	IP 55
MAX ROTATING SPEED	30 revs/min
TEST VOLTAGE	2,5 kV
OPERATING TEMPERATURE	-20 °C ÷ +60 °C

STANDARD TYPES

No. rings	H = mm
6	67
10	87
16	117
20	137
26	167
30	187

DIMENSIONS

